

宁波众高密封科技有限公司

N I N G B O Z H O N G G A O S E A L T E C H O N L O G Y C O . , L T D



公众号



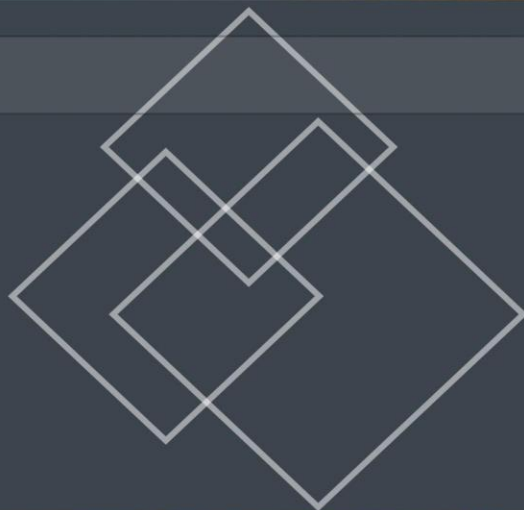
VR场景



宁波众高密封科技有限公司
Ningbo ZhongGao Seal Technology Co., Ltd.

宁波众高密封科技有限公司

Ningbo ZhongGao Seal Technology Co., Ltd.



橡胶条、橡胶管



橡胶条按材质主要分为NBR丁腈橡胶球，SILICOME硅胶橡胶条，FKM(VITON)氟橡胶条、EPDM三元乙丙橡胶条及丁腈、三元乙丙发泡橡胶条。NBR丁腈橡胶:颜色一般为黑色,适合于石油系液压油、甘醇系液压油、二酯系润滑油、汽油、水、硅润滑脂、硅油等介质中使用。是目前用途最广、成本最低的橡胶密封件。不适用于极性溶剂之中,例如酮类、臭氧、硝基烃、MEK和氯仿。一般使用温度范围为-40~120℃。截面为圆形,方形,星形,空心的均可供货。

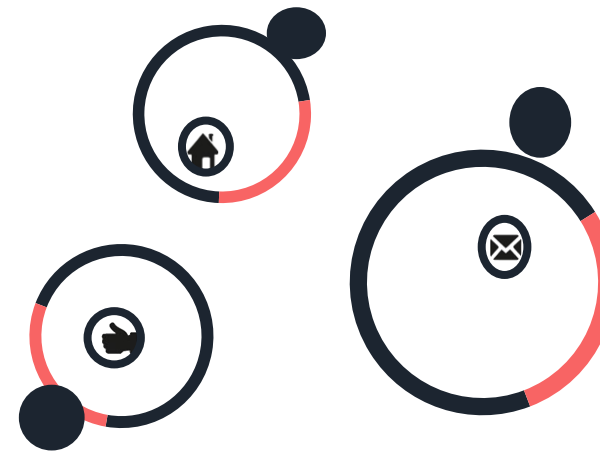
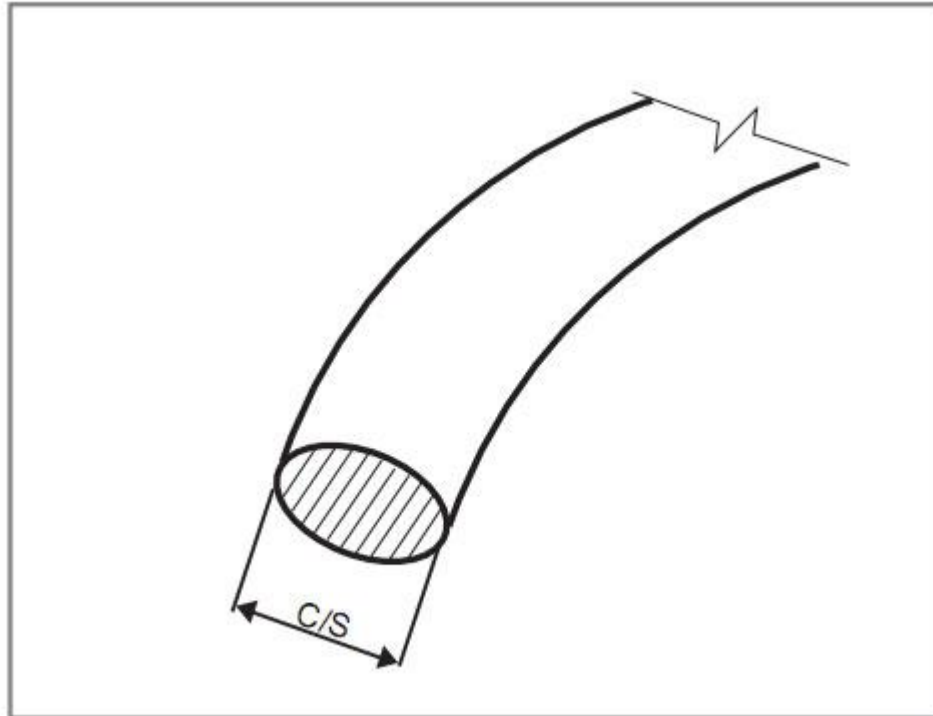
应用领域

橡胶条主要用于大型设备的门、窗等的密封或粘接成任何内径的密封圈。橡胶管主要用于工业、矿山、民用输送及吸引液体、气体等。配套电器、电子、家具设备、玩具、五金、医疗设备、体育用品、音响、灯饰、机械、汽车、摩托车、船舶、航空、工作环境苛刻的电线外套梳水，对许多材料不粘，可起隔离作用等领域行业。





横截面图





宁波众高密封科技有限公司
Ningbo ZhongGao Seal Technology Co., Ltd.

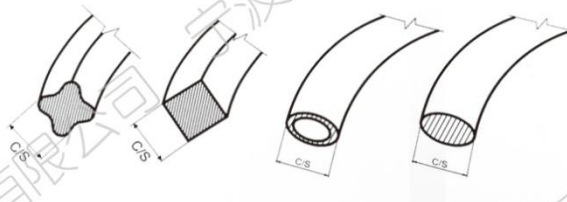
宁波众高密封科技有限公司

Ningbo ZhongGao Seal Technology Co., Ltd.

规格参数表

橡胶条尺寸及公差标准表
Table of Size and Tolerance of Rubber Sheet

GB/T3672.1-2002		
NO.	C/S(mm)	C/S±公差
M0120B	1.2	± 0.25
M0150B	1.5	± 0.25
M0160B	1.6	± 0.35
M0178B	1.78	± 0.35
M0190B	1.9	± 0.35
M0200B	2	± 0.35
M0240B	2.4	± 0.35
M0250B	2.5	± 0.35
M0262B	2.62	± 0.40
M0300B	3	± 0.40
M0350B	3.5	± 0.40
M0400B	4	± 0.40
M0450B	4.5	± 0.50
M0500B	5	± 0.50
M0534B	5.34	± 0.50
M0550B	5.5	± 0.50
M0570B	5.7	± 0.50
M0600B	6.0	± 0.50
M0650B	6.5	± 0.70
M0699B	6.99	± 0.70
M0700B	7	± 0.70
M0750B	7.5	± 0.70
M0800B	8	± 0.70
M0840B	8.4	± 0.70
M0850B	8.5	± 0.70
M0900B	9	± 0.70
M0950B	9.5	± 0.70
M1000B	10	± 0.70
M1100B	11	± 0.80
M1200B	12	± 0.80
M1270B	12.7	± 0.80
M1300B	13	± 0.80
M1400B	14	± 0.80
M1500B	15	± 0.80
M1600B	16	± 0.80
M1700B	17	± 1.00
M1800B	18	± 1.00
M1900B	19	± 1.00
M2000B	20	± 1.00
M2100B	21	± 1.00
M2200B	22	± 1.00
M2300B	23	± 1.00
M2400B	24	± 1.00
M2500B	25	± 1.00



胶条主要用于大型设备的门、窗等的密封或粘接成任何内径的密封圈。

注：1. 截面为圆型、方型、星型、空心均可供货。

2. 星型线径为1.78及以上均可供货。

*其它尺寸亦可供货





宁波众高密封科技有限公司

Ningbo ZhongGao Seal Technology Co., Ltd.

公司简介



宁波众高密封科技有限公司是集设计，生产，销售，经销为一体的专业密封原件制造商，工厂位于江西，深圳，目前拥有9000多平米的现代化厂房，拥有员工300余人，资深技术人员40余人



宁波众高密封科技有限公司
Ningbo ZhongGao Seal Technology Co., Ltd.

宁波众高密封科技有限公司

Ningbo ZhongGao Seal Technology Co., Ltd.



我们拥有从硫化成型到最终出货的全套先进生产设备，采用与国际标准相同的先进生产工艺，配有较齐全的实验检测设备，能对各种橡胶材料物性、产品性能进行较全面的实验和检测。我们拥有最专业的技术团队能整合您的密封方案提供最专业的建议。



宁波众高密封科技有限公司
Ningbo ZhongGao Seal Technology Co., Ltd.

宁波众高密封科技有限公司

Ningbo ZhongGao Seal Technology Co., Ltd.



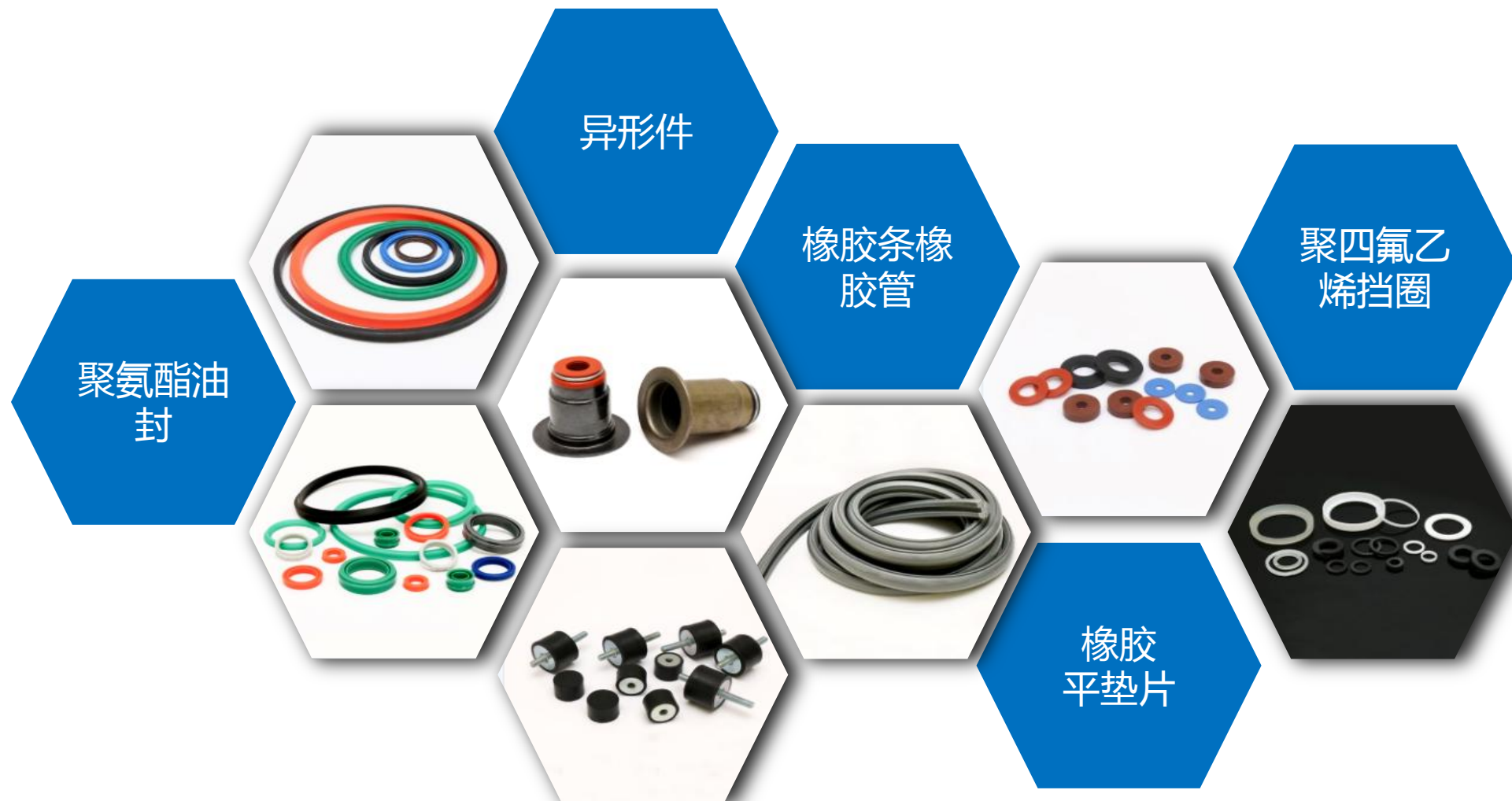
公司主要产品有：O型圈，星型圈，Y型圈，D型圈，橡胶平垫，ED圈，橡胶胶条，橡胶球，各类骨架油封，格来圈斯特封，聚氨酯油封，气动密封以及按照客户需求设计的各类橡胶杂件。



宁波众高密封科技有限公司
Ningbo ZhongGao Seal Technology Co., Ltd.

宁波众高密封科技有限公司

Ningbo ZhongGao Seal Technology Co., Ltd.



产品主要为汽车，园林灌溉设备，液压，气动，煤矿机械，医疗，五金，卫浴，饮水设备等行业进行专业的配套服务。

权威认证

Authoritative certification



s & Chevron Seals

KTW W270

KTW (德国饮用水行业非金属部件的检测实验认可)代表德国联邦健康部门饮用水系统选材与健康评估权威部门,它是德国DVGW的实验室。KTW 是2003成立的强制监管机关。要求供应商符合DVGW (德国气体与水协会)的第W 270项条例“微生物在非金属材料上的传播”。这个标准主要保护饮用水不受生物杂质污染。W 270目前也是法律规定的执行规范。KTW测试的标准是EN681-1, W270的测试标准就是W270。目前所有出口欧洲的饮用水系统及辅料都必须出具KTW认证。因此,中国饮用水系统及辅料如果想要出口到欧洲国家,必须通过 KTW认证。KTW已经获得世界卫生组织(WHO)对饮用水安全认证规范的权威认定。

REACH

REACH是欧盟规章《化学品注册、评估、许可和限制》(REGULATION concerning the Registration, Evaluation, Authorization and Restriction of Chemicals)的简称,是欧盟建立的,并于2007年6月1日起实施的化学品监管体系。这是一个涉及化学品生产、贸易、使用安全的法规提案,法规旨在保护人类健康和环境安全,保持和提高欧盟化学工业的竞争力,以及研发无毒无害化合物的创新能力,防止市场分裂,增加化学品使用透明度,促进非动物实验,追求社会可持续发展等。REACH指令要求凡进口和在欧洲境内生产的化学品必须通过注册、评估、授权和限制等一组综合程序,以更好更简单地识别化学品的成分来达到确保环境和人体安全的目的。

WRAS(Water Research Advisory Scheme)认证是指水务法规咨询计划,WRAS是英国饮用水安全方面的认证。Intertek China、WRC-NSF及KIWA-UK是WRAS认可的实验室!

水务法规咨询计划(WRAS)是英国水工业的认证计划,由此计划认可的产品显示了它符合1999年供水系统(水配件)的法规和其修订版的要求。

计划的主要目标是避免水的:浪费 误用 滥用 不当的消费,不精确度量或污染物。

此项认证是通往英国市场的必须许可,虽非强制,但已是惯例,大凡水公司在提供水源时必须验收的手续之一是查看是否有符合相关标准要求的认证,WRAS的认可是最有说服力的证明,没有的将没有供水资格。



美国食品和药物管理局(Food and Drug Administration)简称FDA, FDA 是美国政府在健康与人类服务部(DHHS)和公共卫生部(PHS)中设立的执行机构之一。作为一家科学管理机构, FDA 的职责是确保美国本国生产或进口的食品、化妆品、药物、生物制剂、医疗设备和放射产品的安全。它是最早以保护消费者为主要职能的联邦机构之一。



watermark是澳大利亚标准局(Standards Australia Limited)的认证标志。认证的产品包括水龙头、各种水阀、水管、水箱配件、花洒、浴缸、管接头等供水、排污类产品。WATERMARK 是由独立认证机构所提供的产品质量认证,它确保产品符合澳洲相关的卫浴法规以及产品标准。根据澳洲的卫浴法规,所有在澳洲安装的卫浴产品需要强制进行此项认证。



LFGB认证,又称《食品、烟草制品化妆品和其它日用品管理法》是德国食品卫生管理方面最重要的基本法律文件,是其它专项食品卫生法律、法规制定的准则和核心。但是近年来也有所修改,主要是和欧洲标准相匹配。



RoHS是由欧盟立法制定的一项强制性标准,它的全称是《关于限制在电子电器设备中使用某些有害成分的指令》(Restriction of Hazardous Substances)。该标准已于2006年7月1日开始正式实施,主要用于规范电子电气产品的材料及工艺标准,使之更加有利于人体健康及环境保护。该标准的目的在于消除电机电子产品中的铅、汞、镉、六价铬、多溴联苯和多溴二苯醚共6项物质,并重点规定了铅的含量不能超过0.1%。



宁波众高密封科技有限公司
Ningbo ZhongGao Seal Technology Co., Ltd.

宁波众高密封科技有限公司

Ningbo ZhongGao Seal Technology Co., Ltd.



ISOTS16949



Test Report No. NGBEC1300495001 Date: 18 Apr 2013 Page 1 of 12
(SVHC)

NINGBO ZHONGGAO SEAL TECHNOLOGY CO. LTD
ROOM 910, BUILDING 311, JIANGNAN-YIPIN GARDEN, HI-TECH ZONE, NINGBO, CHINA

The following sample(s) was/were so certified and identified on behalf of the clients as: NBR O-ring

SGS Job No: NP13-00467-NB

Date of Sample Received: 07 Apr 2013

Testing Period: 07 Apr 2013 - 18 Apr 2013

Test Requested: As requested by client, SVHC screening is performed according to (i) One Hundred and thirty eight (138) substances in the Candidate List of Substances of Very High Concern (SVHC) for authorization published by European Chemicals Agency (ECHA) on and before Dec 19, 2012 regarding Regulation (EC) No 1907/2006 concerning the REACH.

Test Results: Please refer to next page(s).

Summary:

According to the specified scope and analytical techniques, concentrations of tested SVHC are ≤ 0.1% (w/w) in the submitted sample.	PASS
---	------

Signed for and on behalf of
SGS-CSTC Ltd.

Iris Xiao
Iris Xiao
Approved Signatory

This document is issued by the Company subject to its General Conditions of Service printed hereon, available on request or accessible at this page on condition that you have accepted the conditions and conditions of use of the Company's website. Any other use of this document is prohibited. The information contained herein is confidential and intended for the use of the client only. It is not to be distributed, copied, or otherwise used without the prior written consent of the Company. The information contained herein is confidential and intended for the use of the client only. It is not to be distributed, copied, or otherwise used without the prior written consent of the Company. The information contained herein is confidential and intended for the use of the client only. It is not to be distributed, copied, or otherwise used without the prior written consent of the Company.



Test Report No. NGBEC1300495001 Date: 18 Apr 2013 Page 2 of 12
(SVHC)

Remark:

(1) The chemical analysis of specified SVHC is performed by means of currently available analytical techniques against the following SVHC related documents published by ECHA:
<http://echa.europa.eu/web/guest/candidate-list-table>
These lists are under evaluation by ECHA and may subject to change in the future.

(2) Concerning article(s):
In accordance with Regulation (EC) No 1907/2006, any EU producer or importer of articles shall notify ECHA, in accordance with paragraph 4 of Article 7, if a substance meets the criteria in Article 57 and is identified in accordance with Article 59(1) of the Regulation, if (a) the substance in the Candidate List is present in those articles in quantities totalling over one tonne per producer or importer per year; and (b) the substance in the Candidate List is present in those articles above a concentration of 0.1% weight by weight (w/w).

Article 33 of Regulation (EC) No 1907/2006 requires supplier of an article containing a substance meeting the criteria in Article 57 and identified in accordance with Article 59(1) in a concentration above 0.1% weight by weight (w/w) shall provide the recipient of the article with sufficient information, available to the supplier, to allow safe use of the article including, as a minimum, the name of that substance in the Candidate List.

SGS adopts the interpretation of ECHA for SVHC in article unless indicated otherwise. Detail explanation is available at the following link:
http://webstg.cdn.sgs.net/comprach/documents/SGS-CTS_SVHC-paper-EN-11.pdf

(3) Concerning material(s):
Test results in this report are based on the tested sample. This report refers to testing result of tested sample submitted as homogenous material(s). In case such material is being used to compose an article, the results indicated in this report may not represent SVHC concentration in such article. If this report refers to testing result of composite material group by equal weight proportion, the material in each composite test group may come from more than one article.

If the sample is a substance or mixture, and it directly exports to EU, client has the obligation to comply with the supply chain communication obligation under Article 31 of Regulation (EC) No 1907/2006 and the conditions of Authorization of substance of very high concern included in the Annex XIV of the Regulation (EC) No 1907/2006.

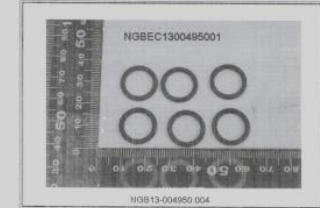
(4) Concerning substance and preparation:
If a SVHC is found over 0.1% (w/w) and/or the specific concentration limit which is set in Regulation (EC) No 1372/2008 and No 790/2009, client is suggested to prepare a Safety Data Sheet (SDS) against the SVHC to comply with the supply chain communication obligation under Regulation (EC)

This document is issued by the Company subject to its General Conditions of Service printed hereon, available on request or accessible at this page on condition that you have accepted the conditions and conditions of use of the Company's website. Any other use of this document is prohibited. The information contained herein is confidential and intended for the use of the client only. It is not to be distributed, copied, or otherwise used without the prior written consent of the Company. The information contained herein is confidential and intended for the use of the client only. It is not to be distributed, copied, or otherwise used without the prior written consent of the Company. The information contained herein is confidential and intended for the use of the client only. It is not to be distributed, copied, or otherwise used without the prior written consent of the Company.



Test Report No. NGBEC1300495001 Date: 18 Apr 2013 Page 12 of 12
(SVHC)

Sample photo:



SGS authenticate the photo on original report only

*** End of Report ***

This document is issued by the Company subject to its General Conditions of Service printed hereon, available on request or accessible at this page on condition that you have accepted the conditions and conditions of use of the Company's website. Any other use of this document is prohibited. The information contained herein is confidential and intended for the use of the client only. It is not to be distributed, copied, or otherwise used without the prior written consent of the Company. The information contained herein is confidential and intended for the use of the client only. It is not to be distributed, copied, or otherwise used without the prior written consent of the Company. The information contained herein is confidential and intended for the use of the client only. It is not to be distributed, copied, or otherwise used without the prior written consent of the Company.

Reach 英文版1

Reach 英文版2

Reach 英文版12